

# BILGE PUMP WATER ALARM PANEL W/ SWITCH

423037-3

**SEADOG<sup>®</sup>LINE**  
QUALITY MARINE GEAR

## FEATURES

Switch Rating: 12V / 20A DC

Switch Function: ON-OFF-(ON)

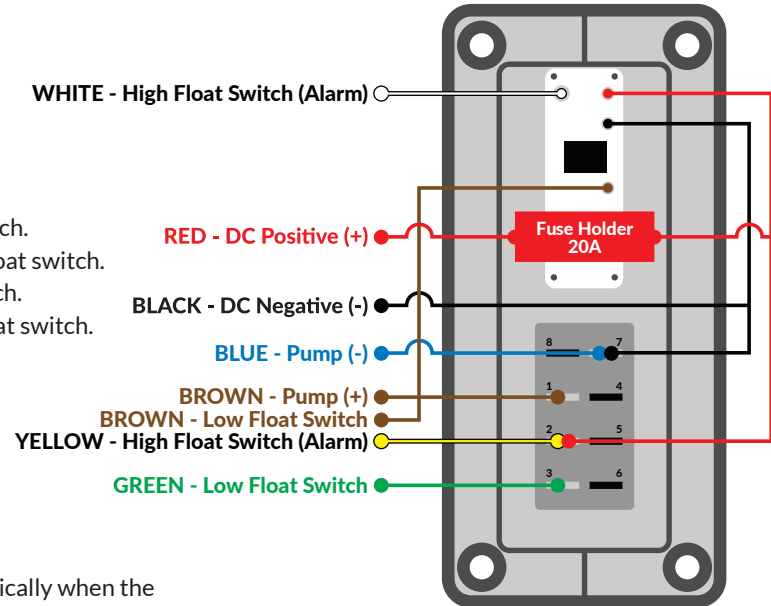
Fuse Holder: 20A

## CONNECTIONS

- The WHITE wire is connected to one end of the high float switch.
- The YELLOW wire is connected to the other end of the high float switch.
- The GREEN wire is connected to one end of the low float switch.
- The BROWN wire is connected to the other end of the low float switch.
- The BROWN wire is connected to the water pump (+).
- The BLUE wire is connected to the water pump (-).
- The RED wire is connected to the power supply (+).
- The BLACK wire is connected to the power supply (-).

## SETTINGS

- When the switch is in MANUAL, the water pump is running.
- When the switch is in AUTO, the water pump will run automatically when the water level is higher than the low water level float switch.
- When the switch is in OFF, the pump automatically runs and the alarm will flash when the water level is higher than the high water level float switch.



SEA-DOG.COM