

LED TEAR DROP LIGHT

BUILT-IN TOUCH ON/DIM/OFF SWITCH

401817-3

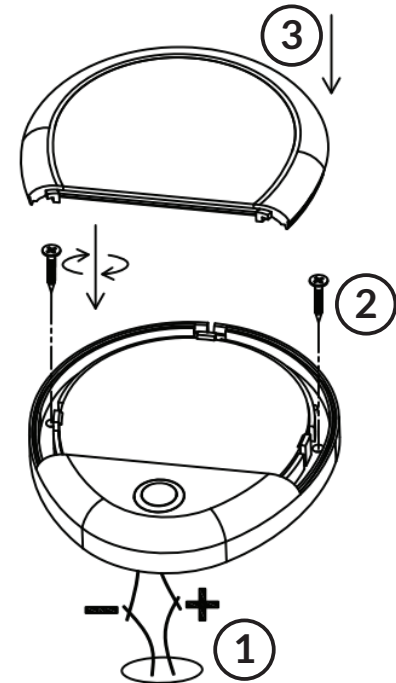
SEADOG[®]LINE
QUALITY MARINE GEAR

Assembly Instructions

1. Connect the positive and negative power wires and test the light to make sure everything is working. Then thread the power wires through the hole.
2. Remove the face plate. Using the light as a template, mark the mounting holes and drill a 1/16" hole for each of the fastener. Using the two #6 RH fastener (included), affix light to surface.
3. Replace the light cover on base by pressing down firmly until it clicks into place.

How To Use

Touch the round button to turn on and off. LED ring will light up blue when on. Continue to touch button to activate dimmer. When turning on and off, the light will remember the last brightness setting you selected.



SEA-DOG.COM