

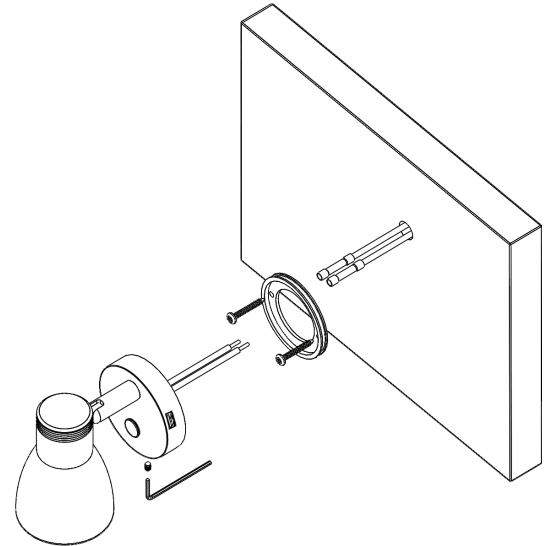
LED CABIN & READING LIGHT WITH USB PORT

BUILT-IN TOUCH ON/DIM/OFF SWITCH
400715-3

SEADOG[®]LINE
QUALITY MARINE GEAR

Assembly Instructions

1. Using the supplied Allen wrench, loosen the screw at the side of the light base and remove the mounting ring.
2. Determine the mounting location for the light and drill a 1/8" hole to run the wires through the bulkhead or other surface to connect to the power source.
3. Using the mounting ring as a template, mark the mounting holes and drill a 1/16" hole for each of the screws.
4. Attach the mounting ring using the two supplied screws.
5. Connect the power wires, then thread the power wires through the 1/8" hole and test the light to make sure everything is working.
6. Attach the light fixture to the mounting ring, with the set screw facing down at the six o'clock position and tighten the set screw with the Allen wrench.



SEA-DOG.COM