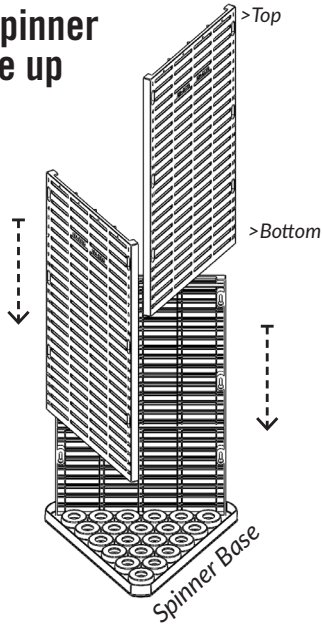
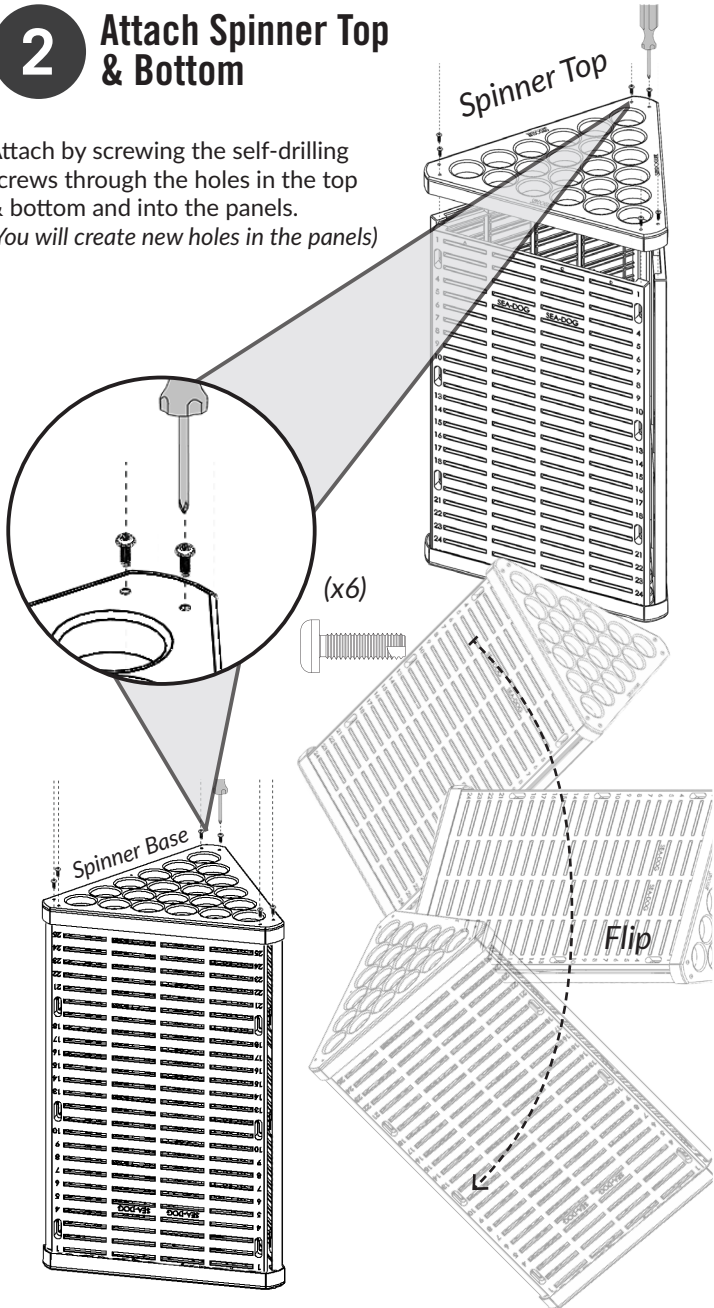


1 Place panels in spinner base with top side up

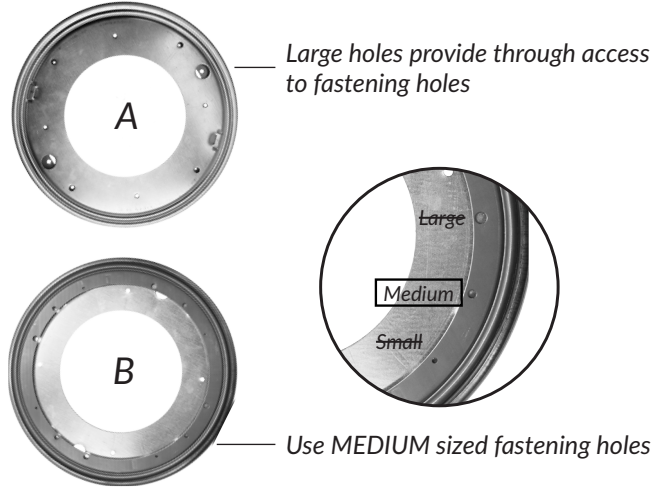


2 Attach Spinner Top & Bottom

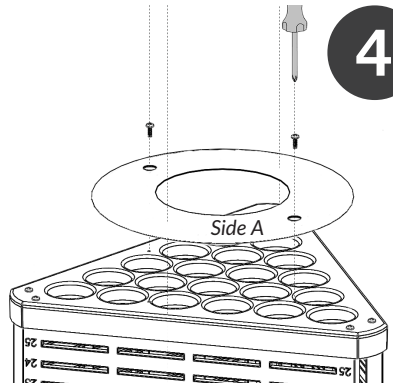
Attach by screwing the self-drilling screws through the holes in the top & bottom and into the panels.
(You will create new holes in the panels)



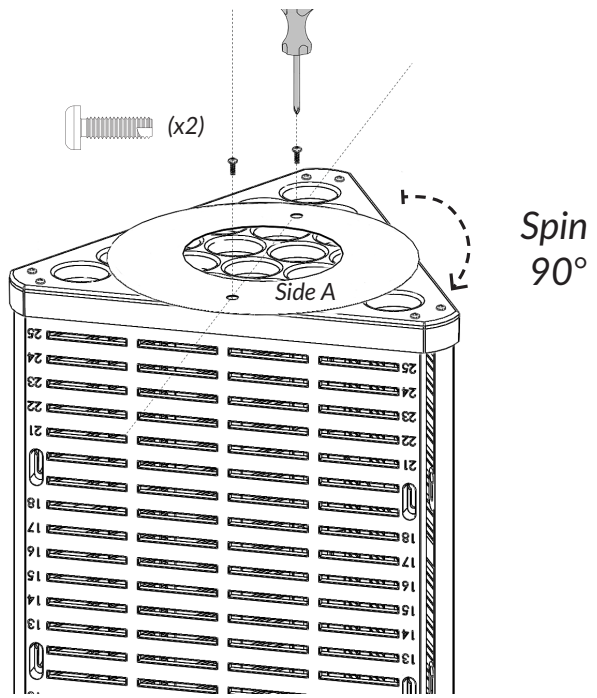
3 Align medium sized holes on Lazy Susan Side "B" to pre-drilled holes on Spinner Base



4 Fasten first two points with through holes



5 Rotate Side "A" 90° to access remaining attachment points.

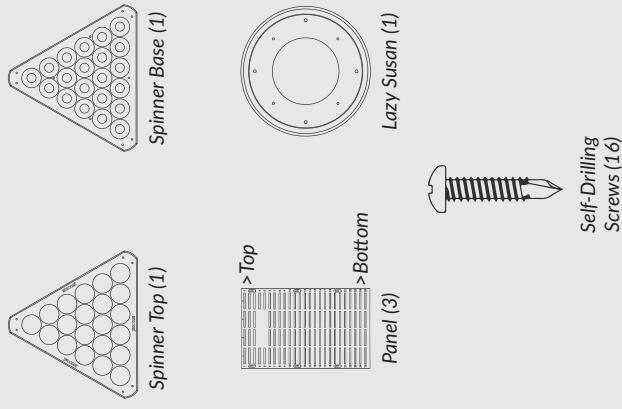




BOAT HOOK SPINNER

Assembly Instructions

CONTENTS



TOOLS NEEDED



(Phillips Bit)

OR



(Phillips)



P.O. Box 479
Everett, WA 98206
1-866-732-3641
WWW.SEA-DOG.COM

Boat Hook Spinner Reorder Sheet

Part Number	Size	Pre Loaded Qty.	Reorder Qty.
491012-1	48"	4	
491013-1	72"	3	
491021-1	24"-36"	4	
491024-1	48"-96"	6	
491034-1	36"-96"	4	
491036-1	56"-144"	4	