

Waterproof MRV Wiper Motor

16 Models

Available in Black or White
12 volt or 24 volt (White only)

412221B-3



412221W-3



MRV Heavy Duty Wiper Motor

14 Models

Available in Black or White
12 volt or 24 volt (Black only)

412121B-3



Waterproof Std. Wiper Motor Kit

2 Models

412421W-3



Windshield Washer Kit

414900-3



See our website for a full
range of wiper motors, arms,
blades, and accessories at:

SEA-DOG.COM

SYNCHRONIZED WIPER MOTOR CONTROLLER



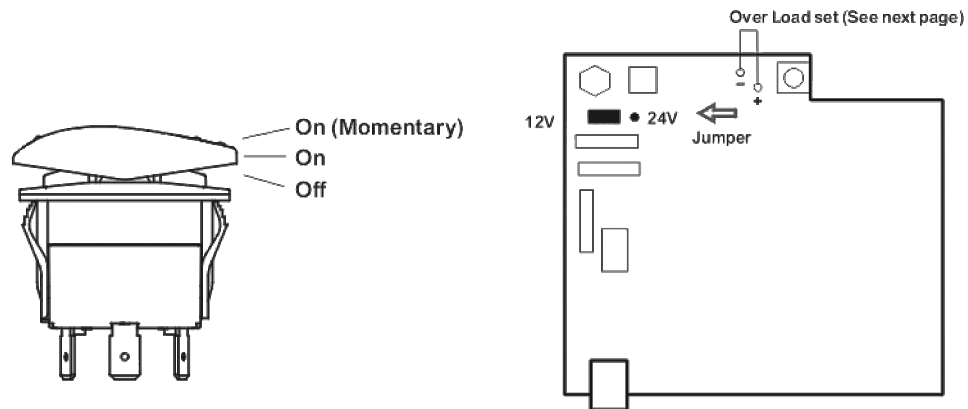
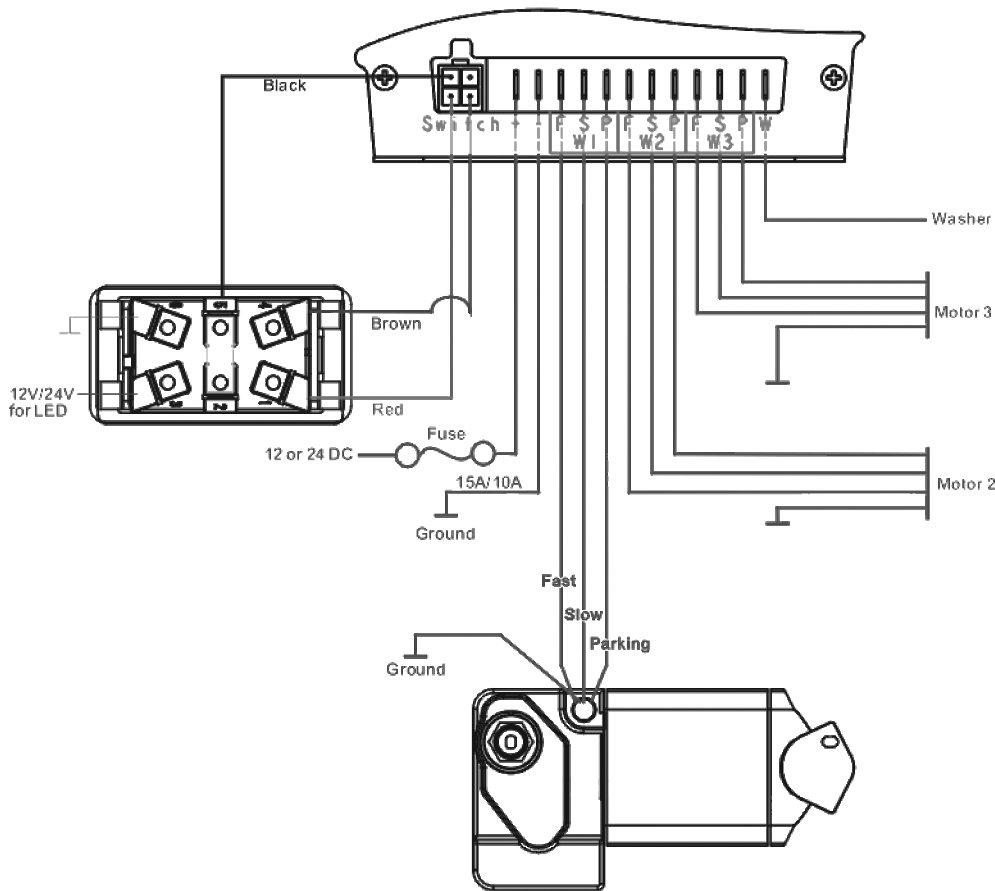
Synchronizes the operation of two
or three wiper motors

Provides an additional intermittent
speed for two speed motors

Operates washer system

12V, CE approved

OPERATING INSTRUCTIONS



For 2 Or 3 Motors

- One push to the “on” position will start the 2 or 3 motors at the synchronized interval speed.
- One more push to the momentary position will run the 2 or 3 motors at the synchronized slow speed.
- An additional push to the momentary position will run the 2 or 3 motors at the synchronized fast speed.
- Another push to the momentary position will run the 2 or 3 motors at the synchronized interval speed and an additional push starts the cycle again.

For A Single Motor

- One long push to the momentary position will start the major motor at the interval speed.
- One more push to the momentary position will run the motor at the slow speed.
- An additional push to the momentary position will run the motor at the fast speed.
- Another push to the momentary position will run the motor at the interval speed and an additional push starts the cycle again.

Washer

When the motor is operating, push the switch to the momentary position and hold for 2 seconds, which will run the washer.

Protection

If the motor gets overloaded, the power will shut down automatically. Please switch the motor off and wait about 2 mins, then re-start it.

Overload Setting

Please use a multi-meter to set the overload current when you change the preset voltage. To change from 12V to 24V, connect the panel to the multi-meter as shown in the drawing and adjust the voltage from 1.93V to 1.45V. Please note, to protect the wiper motor and panel, the correct overload setting is required.