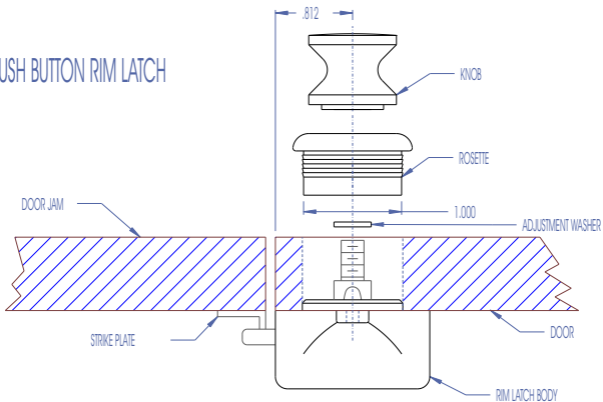


PUSH BUTTON RIM LATCH



NOTE: STRIKE PLATE WILL NEED TO BE CUT OR MORTISED IN FOR CORRECT HEIGHT.

