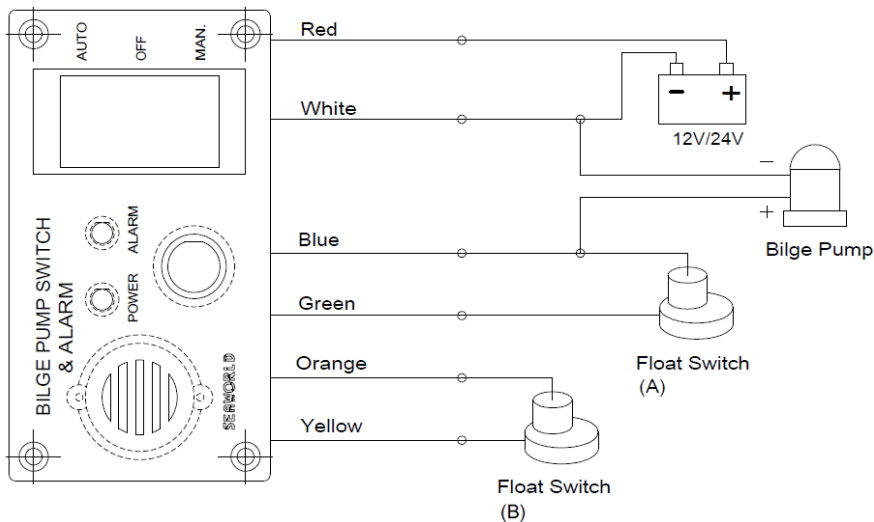


Bilge Water Alarm W/Pump Switch

Model number: 423035-1

INSTALLATION

The pump is mounted in the bilge with its operating float switch (A) mounted 20mm higher than the pump. A second alarm float switch (B) is then installed approximately 200mm above the pump float switch.



Use min #16 gauge marine grade electrical wire.

OPERATION

1. With the control switch on manual, the pump float switch will be bypassed and the pump will run continuously. (Care should be taken to ensure that the pump does not run dry.)
2. With the control switch on auto, the pump will be controlled automatically by the lower float switch. Should this float switch fail and the high water level activates the upper float switch, the alarm will sound. An important feature of this panel is that the alarm float switch not only sounds the alarm, but it also starts the pump operating.
3. The same feature applies if the control switch is left in the off position. When the water level reaches the alarm float switch, the alarm will sound and the pump will start up. This provides a safety backup by ensuring the water level will not rise above the alarm float switch even when unattended.