

Installation & Operation Instructions



405605-3 Halogen Spot Light

To avoid the risk of accidents or damage to this product, it is **essential** to read these instructions **thoroughly** before this product is installed and used.

EN Edition
June 2016

FC CE

Contents

Product Highlights	2
Specifications	2
Installation	2
Spot Light Installation	2
Joystick Control Panel Installation	3
Electrical Wiring	4
Operation	5
Joystick Control	5
Caution.....	5
Maintenance	5
Troubleshooting	6
Limited Warranty	7

Product Highlights

- ⊕ Certified in compliance with EN 55015 + EN 61547 (CE), FCC Part 15B (FCC), EN 60945 (marine), IP65.
- ⊕ 352° horizontal rotation, 70° vertical range.
- ⊕ 50 Watts sealed beam high power halogen bulb replaceable.
- ⊕ Corrosion-proof, impact resistant UV stabilized ASA body.
- ⊕ 12 Volts DC input power.

Specifications

Material	Plastic (ASA) body, glass front cover
Light Source	Halogen bulb (50 Watts sealed beam)
Light Coverage	0.25 Lux @ 350 m
Light Mode	Spot light
Light Power	1700 Lumens
Rotation	352° horizontal, 70° vertical, jam protection
Power Cable	15 ft. / 4.5 meters
Power Supply	12 VDC
Size H x W x D	9.15" x 8.6" x 8.6" / 23.3 x 21.9 x 22 (cm)
Weight	4.4 lbs. / 2 kg
Current Draw	4 Amp

Installation

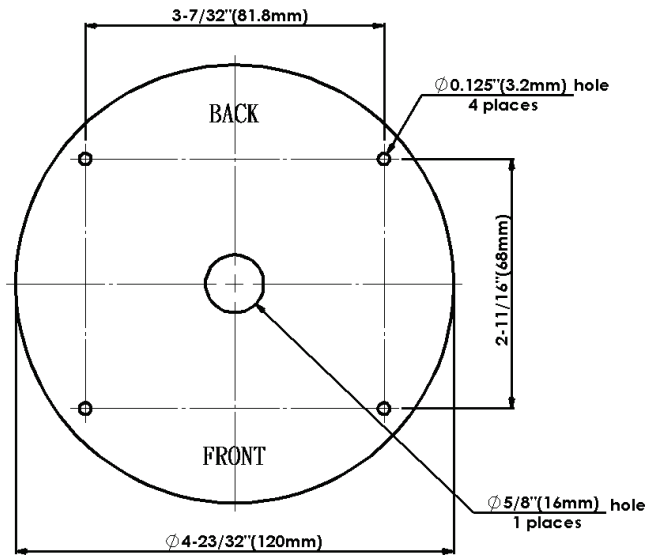
Tools Needed for Installation

- ° Electric drill
- ° 1" hole saw or drill bit
- ° Jigsaw or small keyhole saw
- ° Phillips head screw driver
- ° Crimping/cutting tool

Spot Light Installation

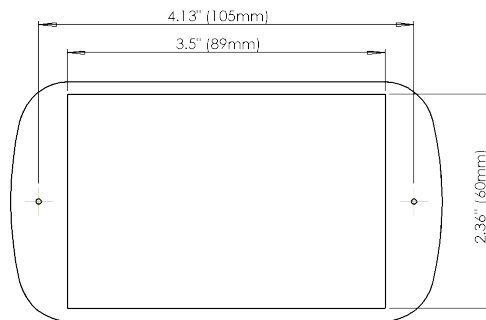
1. The spot light should be installed on flat, level, and non-metal surface.
2. Make use of the foam gasket to mark mounting holes and wiring access (0.625 inch or 16 mm) on flat surface, see picture below. Make wiring access.
3. Route the power cable and signal lines through wiring access of the gasket and flat surface.
4. Secure deck mount by four (4) self-tapping screws of 3/16 inch (5 mm), or bolts and nuts.

! Remember to install the foam gasket, and make sure the joint is properly sealed.



Joystick Control Panel Installation

1. The joystick control panel should be installed on flat surface at a dry location.
2. Make use of the foam gasket to mark mounting holes and rectangular hole (3-1/2 by 2-3/8 inch or 89 by 60 mm) on flat surface. Make rectangular hole.
3. Take off top cover from joystick control panel, then fit control panel into the rectangular hole. Secure control panel with two (2) #8 (M4) self-tapping screws or bolts and nuts.
4. Put back top cover.



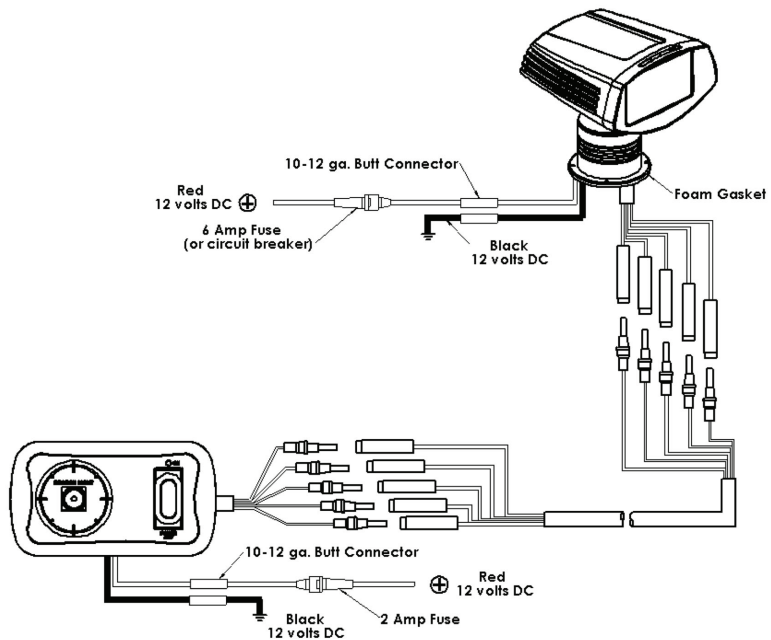
- Install the joystick control panel in an area that provides water and weather protection.

Electrical Wiring

1. Provide DC 12 Volt input power for the product.
2. Protect input power positive (+) terminal with 6 A fuse or circuit breaker.
3. Use 12-gauge power cable for wiring distance not more than 30 ft (9 m), and use 10-gauge power cable for longer wiring distance.
4. 10550J links to joystick control panel through 5 wires. The black wire is not used.

! Check color of the cables for making electrical connection.

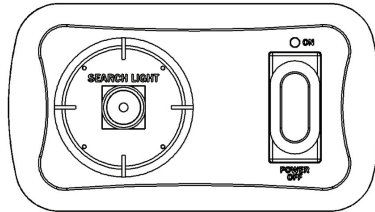
! The power switch on joystick control panel should be set to "OFF" before supplying power to the product.



Operation

Joystick Control

1. The control of spot light by joystick is straightforward. The control of spot light by joystick is straightforward – move the joystick front-to- back to control the vertical movement and side-to-side to control the horizontal movement.



Caution

- ! Continuous operation for more than two (2) hours should be avoided. Longer continuous operation time may cause the light bulb to burn out too quickly.
- ! **DO NOT** try to operate the product beyond angular range as it will damage the product.
- ! **DO NOT** press or hit the glass face covering the light bulb.
- ! **DO NOT** look directly into the spot light while the product is in operation.
- ! **DO NOT** cover the light with any material, otherwise accidental activation of the product may result in fires.

Maintenance

How to conduct general care ...

1. Use diluted neutral cleanser for general cleaning.
- ! **Do not use other chemicals or abrasives.**
2. No need to provide additional lubrication.

Replaceable parts ...

1. 50 watt halogen light bulb.
2. Controls:
 - Joystick Control Panel (additional controls cannot be added)
3. Main PC board
4. Lower motor
5. Upper motor
6. Analog signal line (wire harness, 15 ft.) for 405605-3.

Troubleshooting

Installation work and repairs to electrical components of this product **must** only be carried out by a suitably **qualified and competent** person in accordance with current **local and national safety regulations**. Repairs and other work by unqualified persons could be dangerous. The manufacturer cannot be held liable for unauthorized work.

What to do if the light will not turn on ...

- ☞ Check to make sure the light bulb is tight in its fitting.
- ☞ Replace light bulb.

... the spot light does not respond to any control.

- ☞ Check voltage of inboard battery.
- ☞ Check the fuse or circuit breaker that protects spot light and joystick control panel.
- ☞ Carefully uninstall the spot light. Examine the electrical connections and wire harness.
- ❗ Do not replace a blown fuse until the cause of spot light malfunction is identified and resolved.
- ❗ DO NOT replace a blown fuse with a fuse that takes higher current.

... the spot light halt during operation.

- ☞ Return spot light and joystick control panel to dealer for further inspection.

... the spot light cannot rotate in certain direction.

- ☞ Carefully uninstall the spot light and examine the electrical connections and wire harness.
- ☞ Replace joystick control panel.

... the brightness of the light significantly decayed.

- ☞ Replace light bulb.

For other problems, and when problem is not solved with the above tips ...

Contact our technical service department at techserv@sea-dog.com or (425) 259-0194. If the problem still cannot be resolved, ask for a RG number and return complete product with proper packaging to Sea-Dog for inspection. Include a description of the problem, user contact information, and proof of purchase if requesting warranty service.

Limited Warranty

For one (1) year from the date of original purchase, Sea-Dog will, at its discretion, repair or replace for the original consumer, free of charge, any parts found defective in material or workmanship. All transportation charges under this warranty must be borne by the consumer.

Proof of purchase is required: A computerized register receipt is required. Hand-written receipts are not accepted for warranty proof of purchase. In the absence of a receipt, warranty period will be calculated from date of manufacture printed or stamped on the product.

There is no other expressed warranty. Implied warranties, including those of merchantability and fitness for a particular purpose, are limited to one (1) year from the date of purchase. This is the exclusive remedy and consequential damages are excluded where permitted by law.

This warranty does not apply if the product has been damaged by accident or misuse, or as a result of service or modification performed by an unauthorized factory. Except as otherwise expressly stated in the previous paragraph, the company makes no representation or warranty of any kind, express or implied, as to merchantability, fitness for a particular purpose, or any other matter with respect to this product. The company shall not be liable for any consequential loss to life safety and property if it's due to user's failure in following this manual to install and use the product.



Sea-Dog Line
3402 Smith Ave.
Everett, WA 98201
TEL (425) 259-0194
FAX (425) 339-1345
Email techserv@sea-dog.com